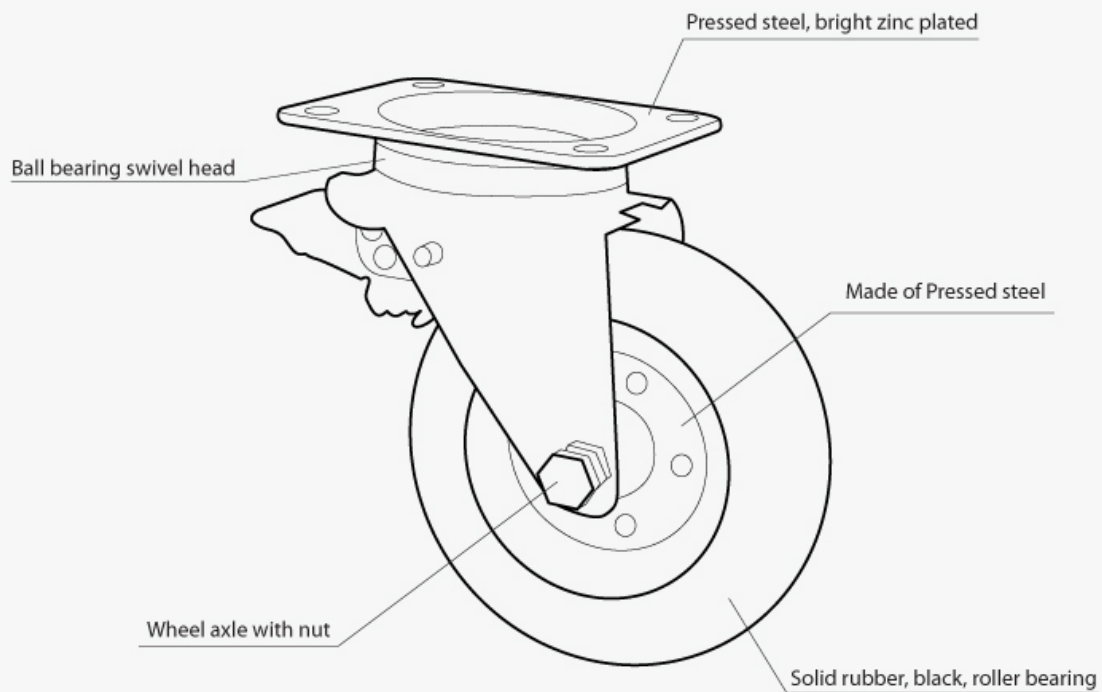


## CASTER WHEEL WITH METAL HUB

**EN 840 Certified.** Available in swivel or total lock model. Housing made of pressed steel, bright zinc plated, ball bearing swivel head, wheel axel with but, dustguard, plate fitting. Wheel centre made of pressed steel, Tread: solid rubber, black, roller bearing.

Customisation is available. Please email your requirements to [sales@plasticmgb.com](mailto:sales@plasticmgb.com)



Leading Brake Models



Trailing Brake Models



For more information, please email your requirements to [sales@plasticmgb.com](mailto:sales@plasticmgb.com).